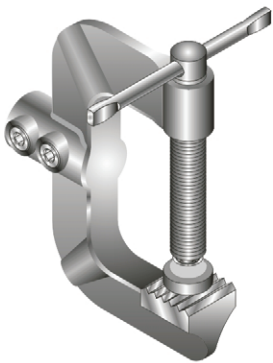


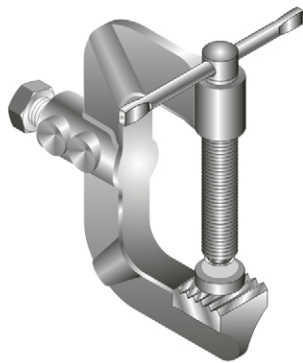


HEAVY DUTY GROUND CLAMPS

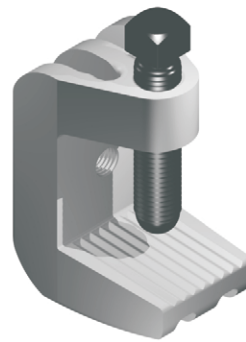
Model "G"/G-1500 Ground Clamps



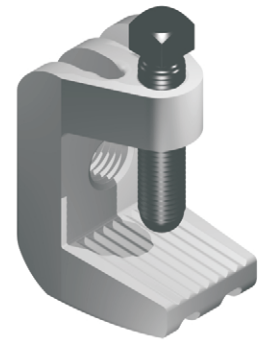
Model "G"



Model G-50



Model G-1500-34



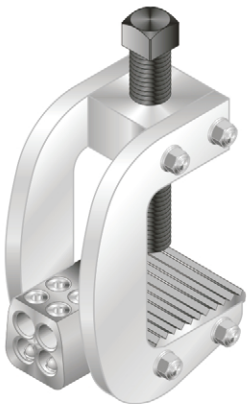
Model G-1500-138

• Reduce Voltage Drop

Apply up to 2,000 lbs. (907kg) pressure with the heavy duty pressure screw. The "G" and G-1500 are cast out of a heavy alloy material designed for high amperage applications. The design maximizes surface contact area which provides cool and efficient operation. The G-1500 can also be used with LENCO's R-4C & LRG Series Rotary Grounds (see page 12).

Model	Item Code No.	Amp Capacity	Type of Cable Connection	Weight	Jaw Opening	Throat Depth	Cable Capacity
G	02060	600	Two Oval-Point Screws	70.4 oz.(2kg)	3-3/8" (85.7mm)	3-1/8" (79mm)	No.3/0 thru No.4/0(70-95mm ²)
G-50	02061	600	1/2 - 13	70.4 oz.(2kg)	3-3/8" (85.7mm)	3-1/8" (79mm)	No.3/0 thru No.4/0(70-95mm ²)
G-1500-34	02230	1500	3/4 - 10	9.5 lbs.(4.3kg)	3" (76.2mm)	3" (76.2mm)	N/A
G-1500-138	02240	1500	1-3/8 - 6	9.5 lbs.(4.3kg)	3" (76.2mm)	3" (76.2mm)	N/A

Heavy Duty Ground Clamps - Totally Rebuildable



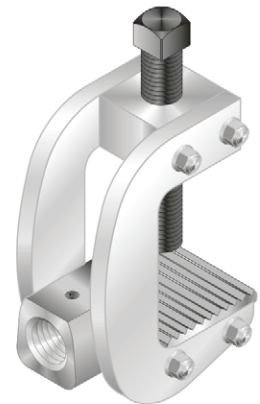
RBG1500-4/40



RBG1500-2/20



RBG1500-34



RBG1500-138

- Heavy Duty fits large diameter pipe & thick plate up to 4-1/2"
- Strong steel frame
- Heavy copper base for efficient current transfer

- Special larger jaw opening available
- Will hold up to 4-4/0 cables or 2-250 MCM cables
- Can hold most rotating grounds

Model	Item Code No.	Amp Capacity	Type of Cable Connection	Weight	Jaw Opening	Throat Depth	Cable Capacity
RBG1500-4/40	02620	1500	8 Oval-Point Screws	13.2 lbs.(6.0kg)	4 1/2" (114.3mm)	3" (76.2mm)	4-4/0
RBG1500-2/20	02630	1500	8 Oval-Point Screws	13.6 lbs.(6.2kg)	4 1/2" (114.3mm)	3" (76.2mm)	2-250 MCM
RBG1500-34	02610	1500	3/4 - 10	13.8 lbs.(6.3kg)	4 1/2" (114.3mm)	3" (76.2mm)	N/A
RBG1500-138	02600	1500	1-3/8 - 7	13.2 lbs.(6.0kg)	4 1/2" (114.3mm)	3" (76.2mm)	N/A