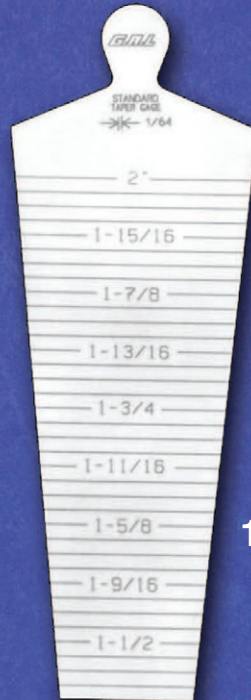


CHECK PLATE FIT-UP



1-3/16" TO 2"

SUB-28C



5/8" TO 1-3/16"

SUB-28

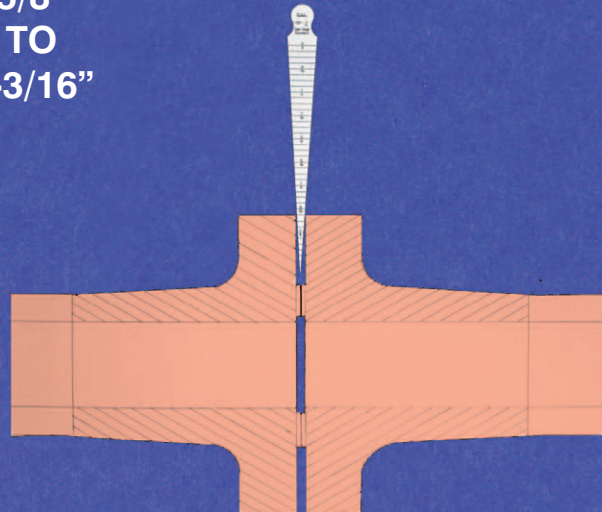


1/32" to 5/8"

SUB-28A

Front Side - STANDARD  
Back Side - METRIC

Part No.	Description
SUB-28	Taper Gauge 5/8" to 1-3/16"
SUB-28A	Taper Gauge 1/32" to 5/8"
SUB-28C	Taper Gauge 1-3/16" to 2"



CHECK FLANGE FIT-UP

# TAPER GAUGES