



QUALITY ELECTRODE HOLDERS

"Twister" Electrode Holder

The LT-250/400 design minimizes exposed screws, internal metal parts or any current carrying members in the holder for added user safety.



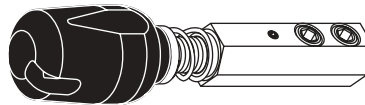
Optional - Holders may be private branded.

	Model	Item Code No.	Amp Capacity	Cable Capacity	Electrodes Up To	Length	Weight
Medium Duty	LT-250	01420	250	2/0 (70mm ²)	3/16" (4.75mm)	8" (203mm)	11 oz. (310g)
	RHA-250	01430	250	—	3/16" (4.75mm)	3-1/2" (89mm)	5.4 oz. (153g)
Heavy Duty	LT-400	01410	400	3/0 (70mm ²)	1/4" (6.35mm)	8-15/16" (227mm)	22 oz. (624g)
	RHA-400	01400	400	—	1/4" (6.35mm)	4-1/8" (105mm)	9 oz. (255g)

MODEL RHA-250/400
Replaceable Head Only



The entire head assembly can be removed and a new one screwed on in seconds.

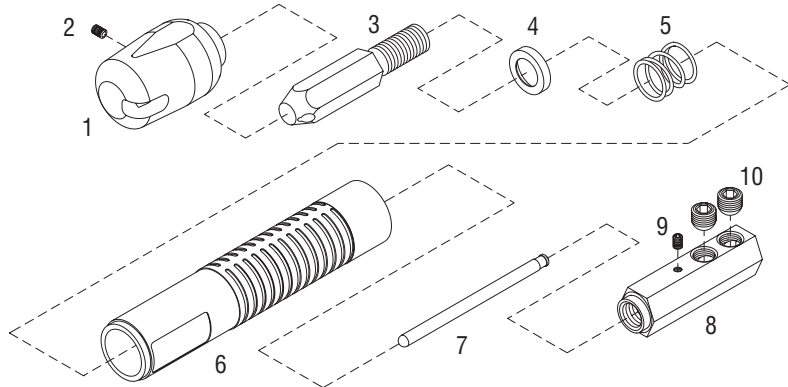


The cable attaches to the holder body with two oval-point screws providing excellent conductivity.

Holder Replacement Parts

LT-250/400 HOLDER

- Head Insulator
- Head Insulator Screw
- Head Member
- Spring Cup
- Spring Coil
- Handle
- Pressure Pin
- Brass Body w/Screws
- Pressure Pin Screw
- Oval-Point Screw (2)



Item No.	Description	LT-250 Item Code No.	LT-400 Item Code No.	Item No.	Description	LT-250 Item Code No.	LT-400 Item Code No.
1	Head Insulator	01422	01472	6	Handle	01424	01474
2	Head Insulator Screw	01485	01485	7	Pressure Pin	01423	01481
3	Head Member	01427	01477	8	Brass Body w/Screws	01432	01482
4	Flat Washer/Spring Cup	01425	01284	9	Pressure Pin Screw	01485	01485
5	Spring Coil	01426	01286	10	Oval-Point Screw (2)	01025	01025

L-400, L-400S, L-600 Electrode Holder



	Model	Item Code No.	Amp Capacity	Cable Capacity	Electrodes Up To	Length	Weight
Heavy Duty	L-400	-	400	3/0 (70mm)	1/4" (6.4mm)	8-3/8" (213mm)	20oz. (575g)
	L-400S	-	400	3/0 (70mm)	1/4" (6.4mm)	8-3/8" (213mm)	17oz. (490g)
	LK-400*	-	400	-	1/4" (6.4mm)	3-1/2" (89mm)	9oz. (240g)
Extra Heavy Duty	L-600	01290	600	4/0 (95mm ²)	5/16" (7.9mm)	8-5/8" (219mm)	29 oz. (829g)
	LK-600*	01295	600	—	5/16" (7.9mm)	3-15/16" (100mm)	13 oz. (361g)

*LK-400, LK-600 replaceable head only