



QUALITY ELECTRODE HOLDERS

"AF"/"HT" Series

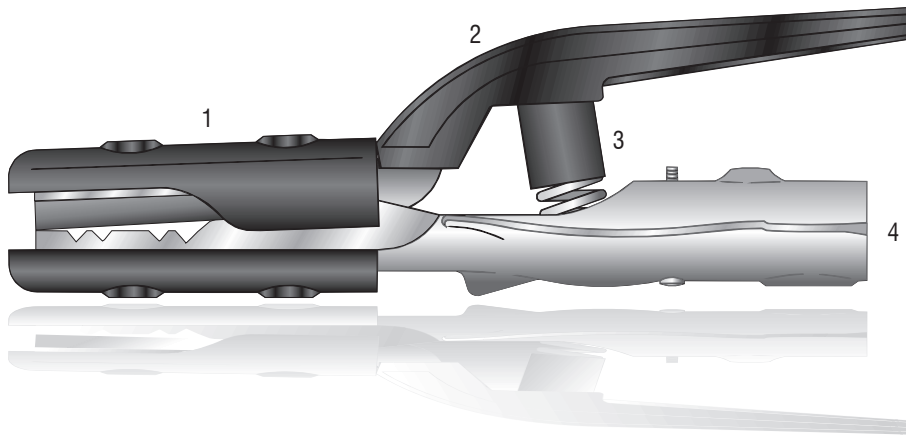
LENCO electrode holders are designed to fit comfortably in the welder's hand. Each design allows the Lenco electrode holder to fit a welder's hand like a glove and provide superior electrode control.

Choosing The Right Size...

ELECTRODE HOLDER

The choice of an electrode holder that will be lightweight, run cool, and at the least cost can be determined first by the maximum rod used and second, by the maximum amperage setting used. Lenco holder numbers indicate the amperage capacity. For example, an AF-2 holder has a maximum amperage capacity of 250 amps. Match the holder to the rod and amperage used for greatest efficiency.

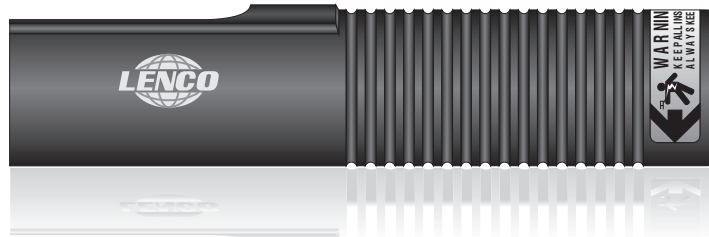
LENCO "AF"/"HT" Series Electrode Holders Offer All These Features



1. Lenco's durable tip insulators are molded from a high impact/high temperature fiberglass compound.
2. The upper lever is fully insulated. The low profile "AF" Series design fits your hand comfortably while the "HT" Series allows greater hand clearance.
3. Lenco's powerful spring holds the electrode securely in place and prevents electrode slippage. The spring is protected by a Lexan cup insulator.
4. Lenco's specially designed oval-point screw makes it easy to install our holder on a cable. Just strip off the appropriate length of cable insulation and insert it into the holder body, then tighten down the large oval-point screw with an allen wrench. This makes an excellent connection. As a safety precaution, the handle retention screw is upset to prevent removal.

Material Construction

AF/HT-1, 2, 25, 3, 35 and 50 holder handles are molded from a durable glass filled nylon material with good heat and impact resistance.

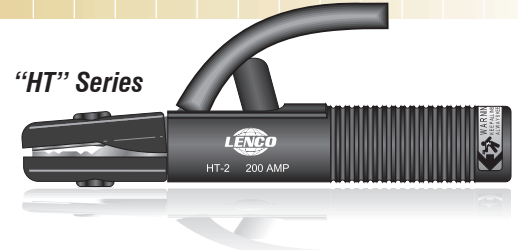


LENCO electrode holders (upper and lower tongs) are made from a high copper alloy for maximum conductivity and strength. The top and bottom tip insulators are a molded fiberglass compound and will withstand intensive heat and impact. Parts for all models are replaceable. The oval-point screw cable connection is standard on all models.



QUALITY ELECTRODE HOLDERS

Light, Medium, and Heavy Duty Models



Optional - Holders may be private branded.

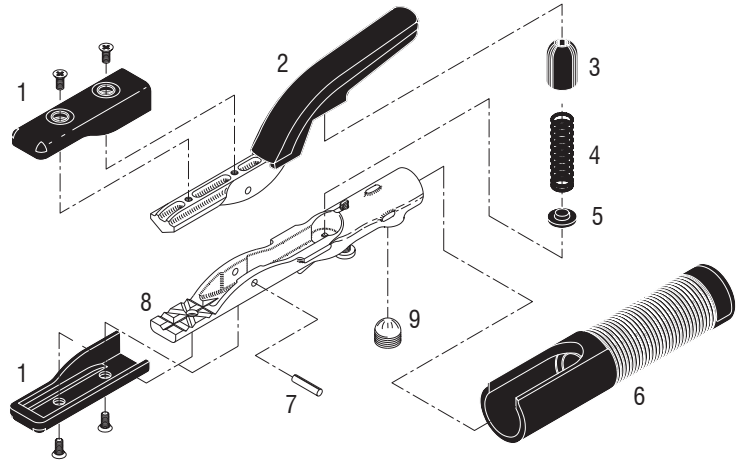
	Model	Item Code No.	Amp Capacity	Cable Capacity	Electrodes Up To	Length	Weight
Light Duty	AF-1	01010	150-200	1 (35mm ²)	5/32" (3.97mm)	8¼" (210mm)	11 oz. (310g)
	AF-2	01020	200-250	1/0 (50mm ²)	5/32" (3.97mm)	8¼" (210mm)	12½ oz. (360g)
Medium Duty	AF-25	01030	250-300	2/0 (70mm ²)	3/16" (4.75mm)	8½" (216mm)	16 oz. (450g)
	AF-3	01040	300-350	2/0 (70mm ²)	1/4" (6.35mm)	10" (254mm)	21 oz. (600g)
Heavy Duty	AF-35	01050	350-400	3/0 (70mm ²)	1/4" (6.35mm)	10" (254mm)	24 oz. (680g)
	AF-50	01060	450-500	4/0 (95mm ²)	3/8" (9.53mm)	10½" (267mm)	31 oz. (880g)
Light Duty	HT-2	01320	200-250	1/0 (50mm ²)	5/32" (3.97mm)	9" (229mm)	13 oz. (360g)
Medium Duty	HT-25	01330	250-300	2/0 (70mm ²)	3/16" (4.75mm)	9¾" (248mm)	19 oz. (540g)
	HT-3	01340	300-350	2/0 (70mm ²)	1/4" (6.35mm)	10½" (267mm)	23 oz. (650g)
Heavy Duty	HT-35	01350	350-400	3/0 (70mm ²)	1/4" (6.35mm)	10½" (267mm)	24 oz. (680g)
	HT-50	01360	450-500	4/0 (95mm ²)	3/8" (9.53mm)	10½" (267mm)	31 oz. (880g)

Holder Replacement Parts

Replacement parts for all LENCO electrode holders are available and easily installed. Select the parts you need from the illustration. Part names are shown below and the part number is under the holder number in the same column.

ELECTRODE HOLDER

1. Tip Insulator w/Screws
2. Upper Body Tong, Insulated
3. Spring Cup Insulator
4. Spring Set (with items 3 & 5)
5. Spring Flat Insulator
6. Molded Handle
7. Hinge Pin
8. Lower Body Tong
9. Oval-Point Screw



"AF"/"HT" - Series

Item No.	Description	Electrode Holder Model and Item Code No.											
		AF-1	AF-2	HT-2	AF-25	HT-25	AF-3	HT-3	AF-35	HT-35	AF-50	HT-50	
1	Tip Insulator, w/Screw	01325	01325	01325	01325	01325	01335	01335	01335	01335	01335	01335	
2	Upper Body Tong	01021	01021	01321	01031	01331	01051	01341	01051	01341	01051	01341	
3	Spring Cup Insulator	01027	01027	01071	01071	01337	01071	01337	01071	01337	01071	01337	
4	Spring Set, w/Insulators (Lexan Cup & Flat Insulator)	01026	01026	01324	01034	01334	01054	01334	01054	01334	01069	01364	
5	Spring Flat Insulator				01070	01070	01070	01070	01070	01070	01070	01070	
6	Molded Handle	01011	01023	01323	01033	01333	01042	01343	01053	01353	01066	01363	
7	Hinge Pin	01214	01214	01214	01214	01214	01223	01223	01223	01223	01223	01223	
8	Lower Body Tong	01222	01022	01022	01032	01032	01041	01041	01052	01052	01062	01062	
9	Oval-Point Screw	01025	01025	01025	01025	01025	01225	01225	01068	01068	01068	01068	
	Tip Insulator Screws, doz.	01065	01065	01065	01065	01065	01065	01065	01065	01065	01065	01065	